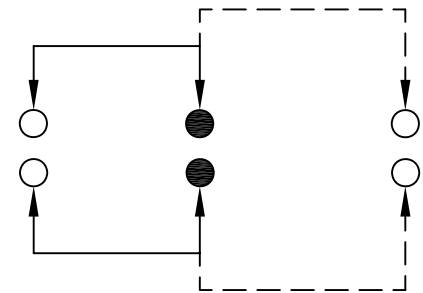
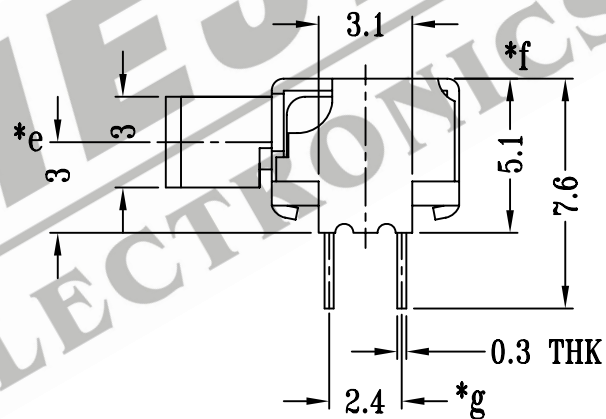
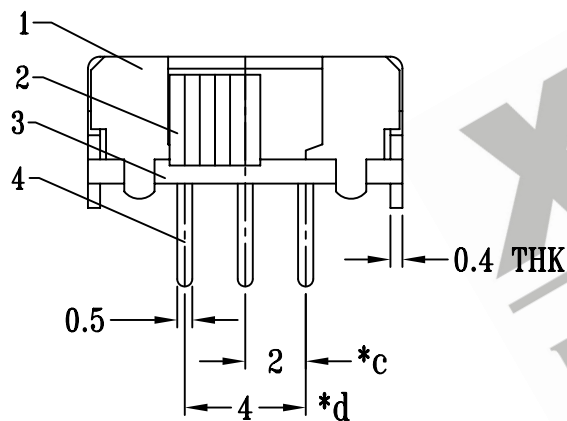
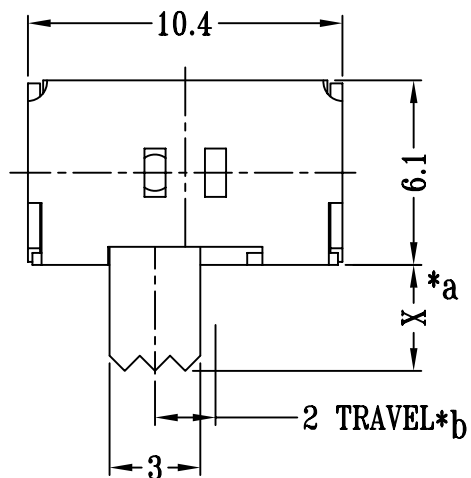
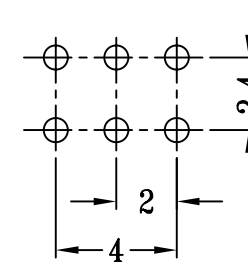


CAD FILE:



SCHEMATIC (NON-SHORTING)



P.C.B LAYOUT

注:带"*"表示关键尺寸(7个)

NO.	PARTS	MATERIALS	Q'TY	FINIS	TOLERANCE UNLESS SPECIFIED	SHENZHEN XIEJIA ELECTRONICS CO.,LTD.																																
8						<table border="1"> <tr> <td>ISSUE</td> <td>DATE</td> <td colspan="2">DESCRIPTIONS OF REVISION</td> <td>APPD.</td> </tr> </table>				ISSUE	DATE	DESCRIPTIONS OF REVISION		APPD.																								
ISSUE	DATE	DESCRIPTIONS OF REVISION		APPD.																																		
7																																						
6	CONTACT CLIP	PBS	2	Ag CLAD	WITHIN: 1.5±0.1mm OVER: 1.5±0.2mm	<table border="1"> <tr> <td colspan="2">TITLE : HORIZONTAL SLIDE SWITCH</td> <td>UNIT : mm</td> <td colspan="2">DRWG NO.: XJ-DR-SK22D32GEI-00</td> </tr> <tr> <td colspan="2">MODEL: SK-22D32</td> <td>SCALE: 4:1</td> <td>DWN.</td> <td>ZHOUYU</td> <td>2006-8-1</td> </tr> <tr> <td colspan="2"></td> <td></td> <td>CHK'D</td> <td>FANGYING</td> <td>2006-8-1</td> </tr> <tr> <td colspan="2"></td> <td></td> <td>APPD.</td> <td>KANGXINAN</td> <td>2006-8-1</td> </tr> <tr> <td colspan="6">ALL MATERIALS MUST BE COMPLIANT TO ROHS</td> </tr> </table>				TITLE : HORIZONTAL SLIDE SWITCH		UNIT : mm	DRWG NO.: XJ-DR-SK22D32GEI-00		MODEL: SK-22D32		SCALE: 4:1	DWN.	ZHOUYU	2006-8-1				CHK'D	FANGYING	2006-8-1				APPD.	KANGXINAN	2006-8-1	ALL MATERIALS MUST BE COMPLIANT TO ROHS					
TITLE : HORIZONTAL SLIDE SWITCH		UNIT : mm	DRWG NO.: XJ-DR-SK22D32GEI-00																																			
MODEL: SK-22D32		SCALE: 4:1	DWN.	ZHOUYU	2006-8-1																																	
			CHK'D	FANGYING	2006-8-1																																	
			APPD.	KANGXINAN	2006-8-1																																	
ALL MATERIALS MUST BE COMPLIANT TO ROHS																																						
5	SPRING PLATE	STAINLESS STEEL	1	NATURAL																																		
4	TERMINAL	BRASS STRIP	6	Ag PLATED OVER Ni PLATED																																		
3	BASE	PHENOLIC RESIN	1	NATURAL																																		
2	KNOB	POM	1	BLACK																																		
1	FRAME	STEEL STRIP	1	Ni PLATED																																		